

Standard Camera Configurations

Description	ID & Code	Datasheet
allPIXA pro - 2k	CP000476-2048-S	pdf
allPIXA pro - 4k	CP000476-4096-S	pdf*
allPIXA pro - 6000px	CP000476-6000-W	pdf*
allPIXA pro - 7.3k	CP000476-7300-W	pdf*



allPIXA pro - 7.3k



allPIXA pro - 4k

Pre-Defined Camera Systems

Description	Identification Number
allPIXA pro - 4k with F-Mount	CP000482-0002
allPIXA pro plus: Various Systems on request (OEM)	CP000482-xxx

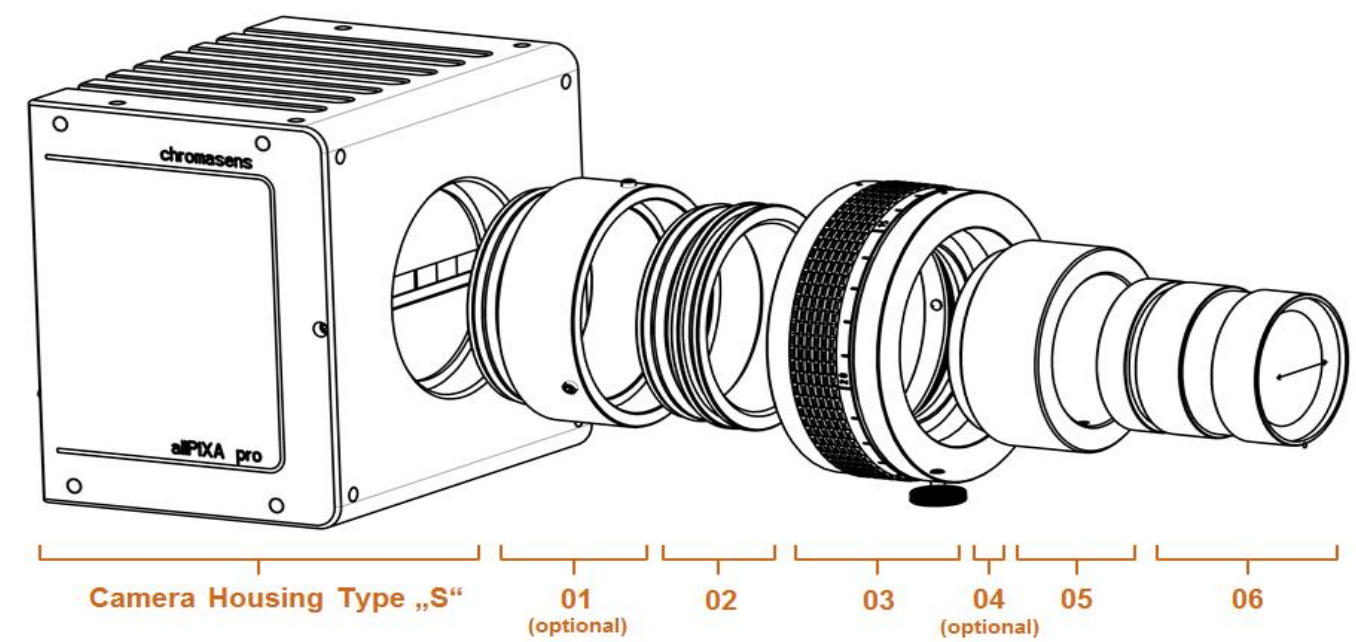
Accessories for 2k & 4k Camera Standard-Housing-Type S

allPIXA pro Tubes 4k	Identification Number	Pos.	Datasheet
allPIXA-Tube-4k 20 mm	CP000389	01	pdf
allPIXA-Tube-4k 40 mm	CP000390	01	pdf*
allPIXA-Tube-4k 60 mm	CP000391	01	pdf*
allPIXA-Tube-4k 80 mm	CP000392	01	pdf*
allPIXA-Tube-4k 100 mm	CP000393	01	pdf*

allPIXA pro 4k direct mount Adapters	Identification Number	Pos.	Datasheet
allPIXA F-Mount Adapter	CP000385	02	pdf*
allPIXA C-Mount-Adapter	CP000387	02	pdf*
allPIXA 4K-Adapter M42x1-A45,46	CP000434	02	pdf*
allPIXA Adapter-MF (to Modular Focus)	CP000386	02	pdf*
allPIXA Adapter-M42x0,75 (to Schneider Unifoc 58 (T2))	CP000461	02	pdf*
allPIXA Adapter-V-Mount (to Schneider Unifoc 12 (V-Mount))	CP000462	02	pdf*

allPIXA pro 4k additional parts	Identification Number	Pos.
Additional parts (custom specific)	only on request	03 - 06

Configuration Scheme: Accessories for 2k & 4k Camera S-Series



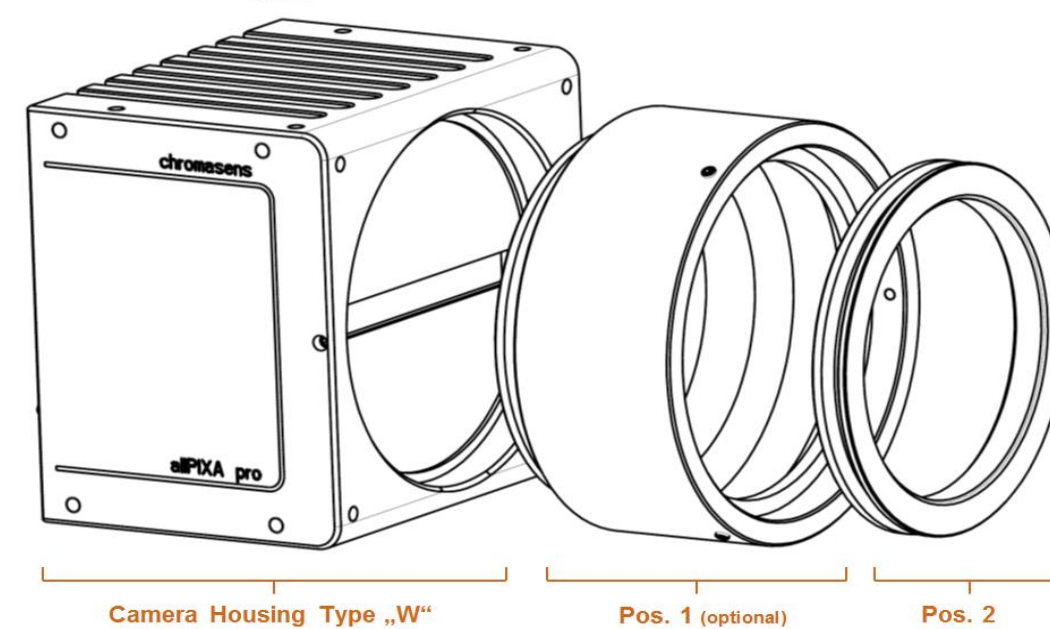
Accessories for 6000px & 7k Camera Wide-Housing-Type W

allPIXA pro Tubes 6000px & 7k	Identification Number	Pos.	Datasheet
allPIXA-Tubus-7k 20 mm	CP000423	01	pdf
allPIXA-Tubus-7k 40 mm	CP000424	01	pdf*
allPIXA-Tubus-7k 60 mm	CP000425	01	pdf*
allPIXA-Tubus-7k 80 mm	CP000426	01	pdf*
allPIXA-Tubus-7k 100 mm	CP000427	01	pdf*

allPIXA pro 6000px & 7k mount Adapters	Identification Number	Pos.	Datasheet
Adapter - Modular Focus**	CP000428	02	pdf*
Adapter M72x0,75-RF **	CP000457	02	pdf*
allPIXA Adapter-M58x0,75 (to Schneider Unifoc 76)**	CP000463	02	pdf*

** Camera sensor length is 73mm. Please consider possible masking effects when directly using mount adapters in front of the sensor surface

Configuration Scheme: Accessories for 6000px & 7k Camera W-Series



General Accessories

allPIXA pro external cables	Identification Number
allPIXA Power Supply Cable (1,5 m)	CP000430
allPIXA Power Supply Cable (5,0 m)	CP000504
allPIXA Power Supply Connector only	CP000459
CameraLink Cables (industrial, several length, ect.)	on request