

Standard Camera Configurations

Description	ID & Code	Datasheet
allPIXA-170 MPx/s-2048 Pixel - NH	CP000383-A-2048-C-C	pdf
allPIXA-170 MPx/s-4096 Pixel - NH	CP000383-A-4096-C-C	pdf
allPIXA-170 MPx/s-4096 Pixel - SNH (Height 95mm, compact design)	CP000383-A-4096-D-C	pdf
allPIXA-170 MPx/s-7300 Pixel - NH	CP000383-A-7300-C-C	pdf
allPIXA-170 MPx/s-7300 Pixel - SNH (Height 100mm, compact design)	CP000383-A-7300-E-C	pdf



allPIXA-170 MPx/s-2048 Pixel - NH

allPIXA-170 MPx/s-4096 Pixel - SNH

allPIXA-170MPx/s-7300Pixel - NH

Pre-Defined Camera Systems

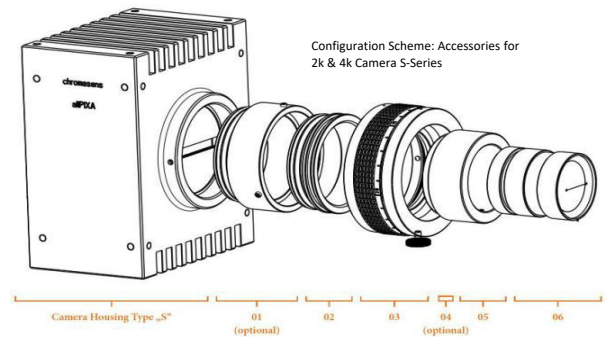
Description	Identification Number
allPIXA-170 MPx/s-4096 Pixel - NH - F-Mount	CP000460-0016
allPIXA-170 MPx/s-4096 Pixel - SNH - F-Mount	CP000460-0018
allPIXA plus: Various Systems on request (OEM)	CP000460-xxx

Accessories for 2k & 4k Camera Standard-Housing-Type S

allPIXA Tubes 4k	Identification Number	POS.	Datasheet
allPIXA-Tube-4k 20 mm	CP000389	01	pdf
allPIXA-Tube-4k 40 mm	CP000390	01	pdf*
allPIXA-Tube-4k 60 mm	CP000391	01	pdf*
allPIXA-Tube-4k 80 mm	CP000392	01	pdf*
allPIXA-Tube-4k 100 mm	CP000393	01	pdf*

allPIXA 4k direct mount Adapters	Identification Number	POS.	Datasheet
allPIXA F-Mount Adapter	CP000385	02	pdf*
allPIXA C-Mount-Adapter	CP000387	02	pdf*
allPIXA 4K-Adapter M42x1-A45,46	CP000434	02	pdf*
allPIXA Adapter-MF (to Modular Focus)	CP000386	02	pdf*
allPIXA Adapter-M42x0,75 (to Schneider Unifoc 58 (T2))	CP000461	02	pdf*
allPIXA Adapter-V-Mount (to Schneider Unifoc 12(V-Mount))	CP000462	02	pdf*

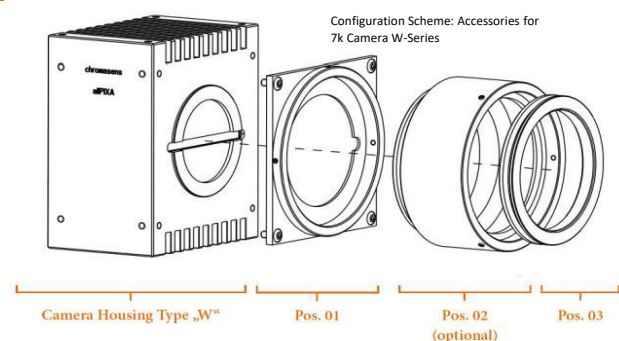
allPIXA 4k additional parts	Identification Number	POS.
Additional parts (custom specific)	only on request	03 - 06


Accessories for 7k Camera Wide-Housing-Type W

allPIXA	Identification Number	POS.	Datasheet
Retrofit Adapter allPIXA (from camera to tube or adapters)	CP000388	01	pdf

allPIXA Tubes 7k	Identification Number	POS.	Datasheet
allPIXA-Tubus-7k 20 mm	CP000423	02	pdf*
allPIXA-Tubus-7k 40 mm	CP000424	02	pdf*
allPIXA-Tubus-7k 60 mm	CP000425	02	pdf*
allPIXA-Tubus-7k 80 mm	CP000426	02	pdf*
allPIXA-Tubus-7k 100 mm	CP000427	02	pdf*

allPIXA 7k mount Adapters	Identification Number	POS.	Datasheet
Adapter - Modular Focus	CP000428	03	pdf*
Adapter M72x0,75-RF	CP000457	03	pdf*
allPIXA Adapter-M58x0,75 (to Schneider Unifoc 76)	CP000463	03	pdf*


General Accessories

allPIXA external cables	Identification Number
allPIXA Power Supply Cable (1,5 m)	CP000430
allPIXA Power Supply Cable (5,0 m)	CP000504
allPIXA Power Supply Connector only	CP000459
CameraLink Cables (industrial, several length, ect.)	on request