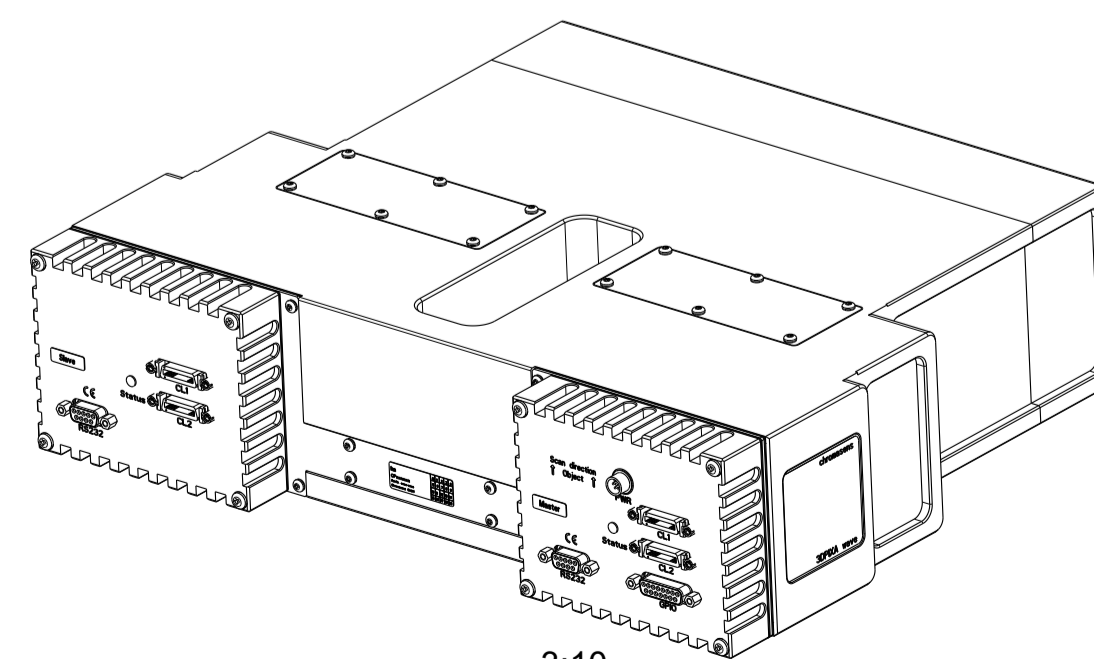
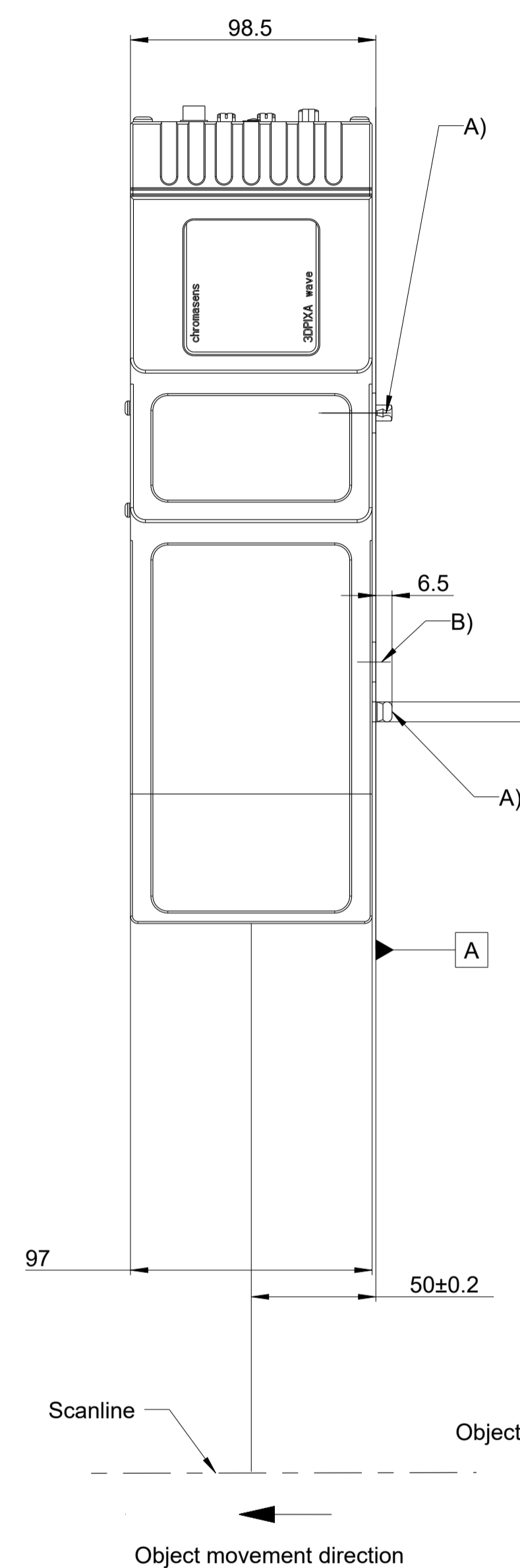
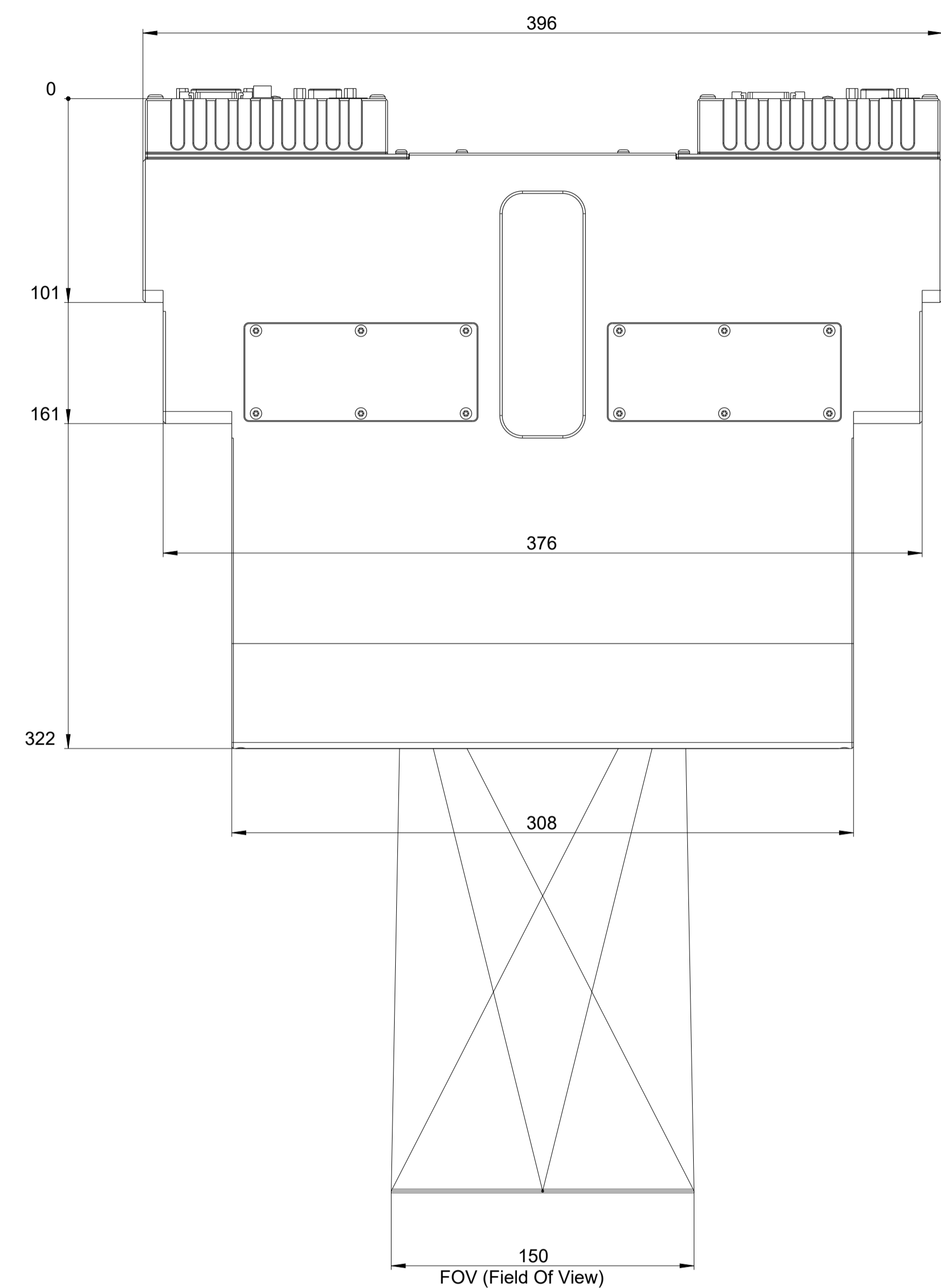


3:10



3:10



Required mounting references:  
 A) 2x drill hole diameter 8mm, fitting H7 or better  
 B) 3x through hole for M8

ISO 128	Tol ISO 8015 DIN 2768 - mH	ISO 1302	Massstab 1:2	Creo4.0
Datum: 10.12.2019		CP000600-D02-010-0150		
Name: Joggerst		3DPIX A wave D02-010-0150		
Gepr.:		Blatt		
01	-	-	Chromasens GmbH	1/1
Zust	Mitteilung	Datum	Name	CM064-B800-V3-C