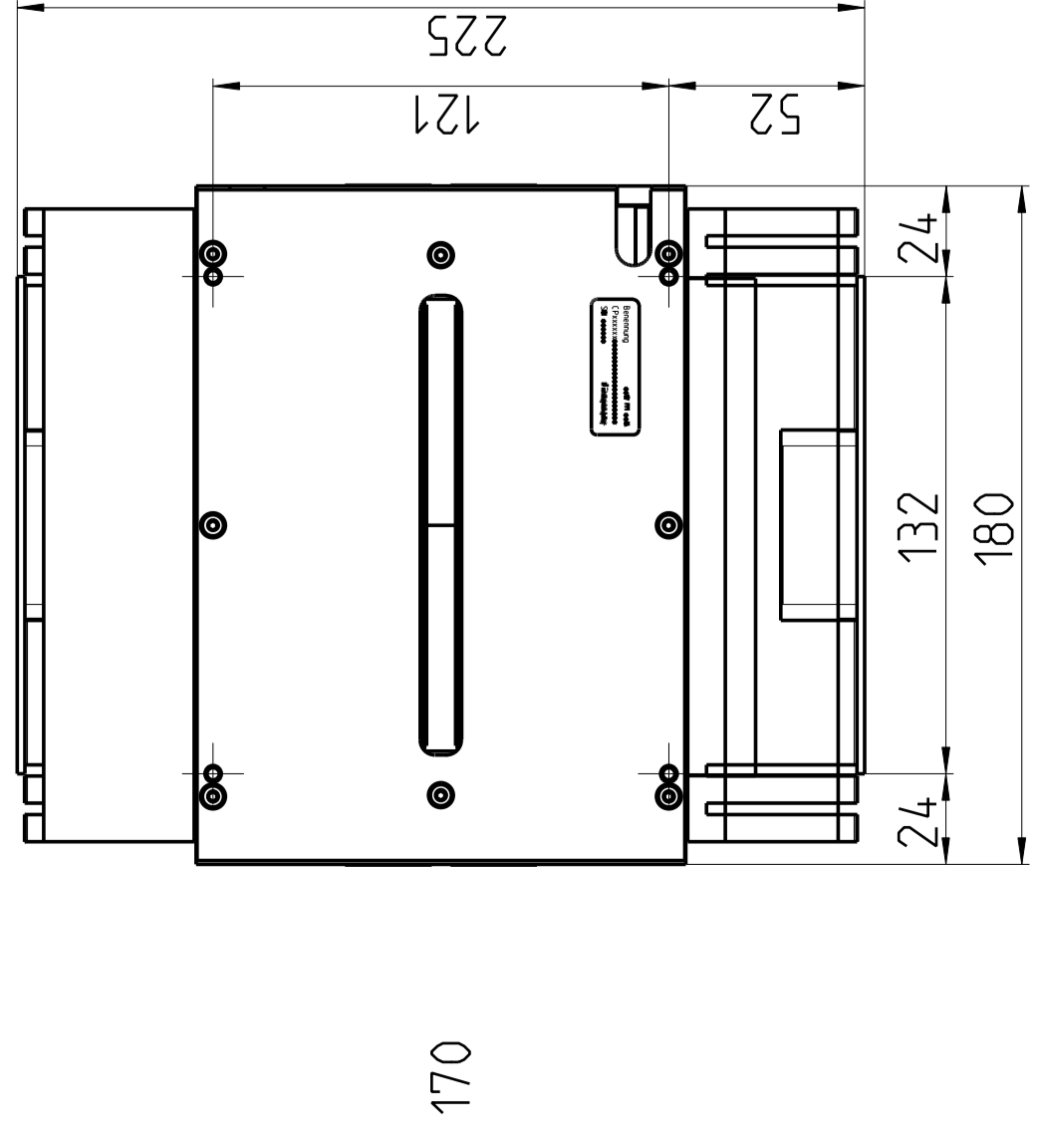
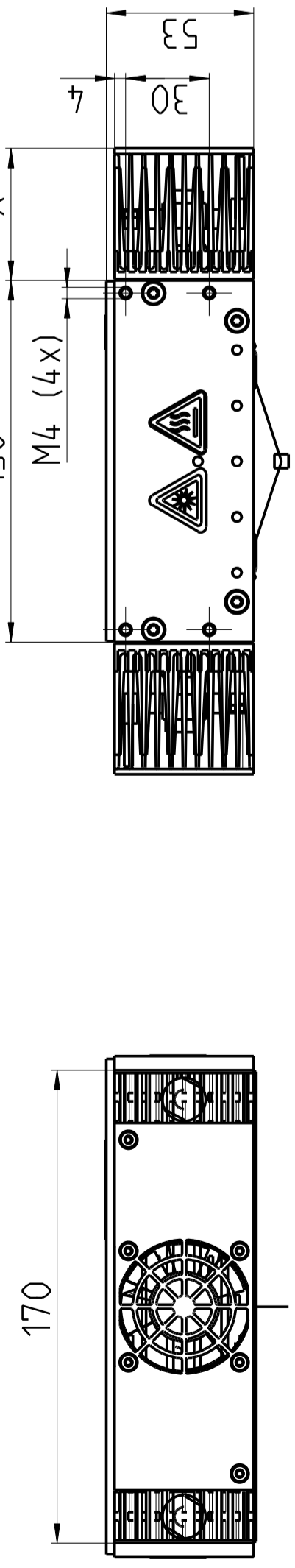
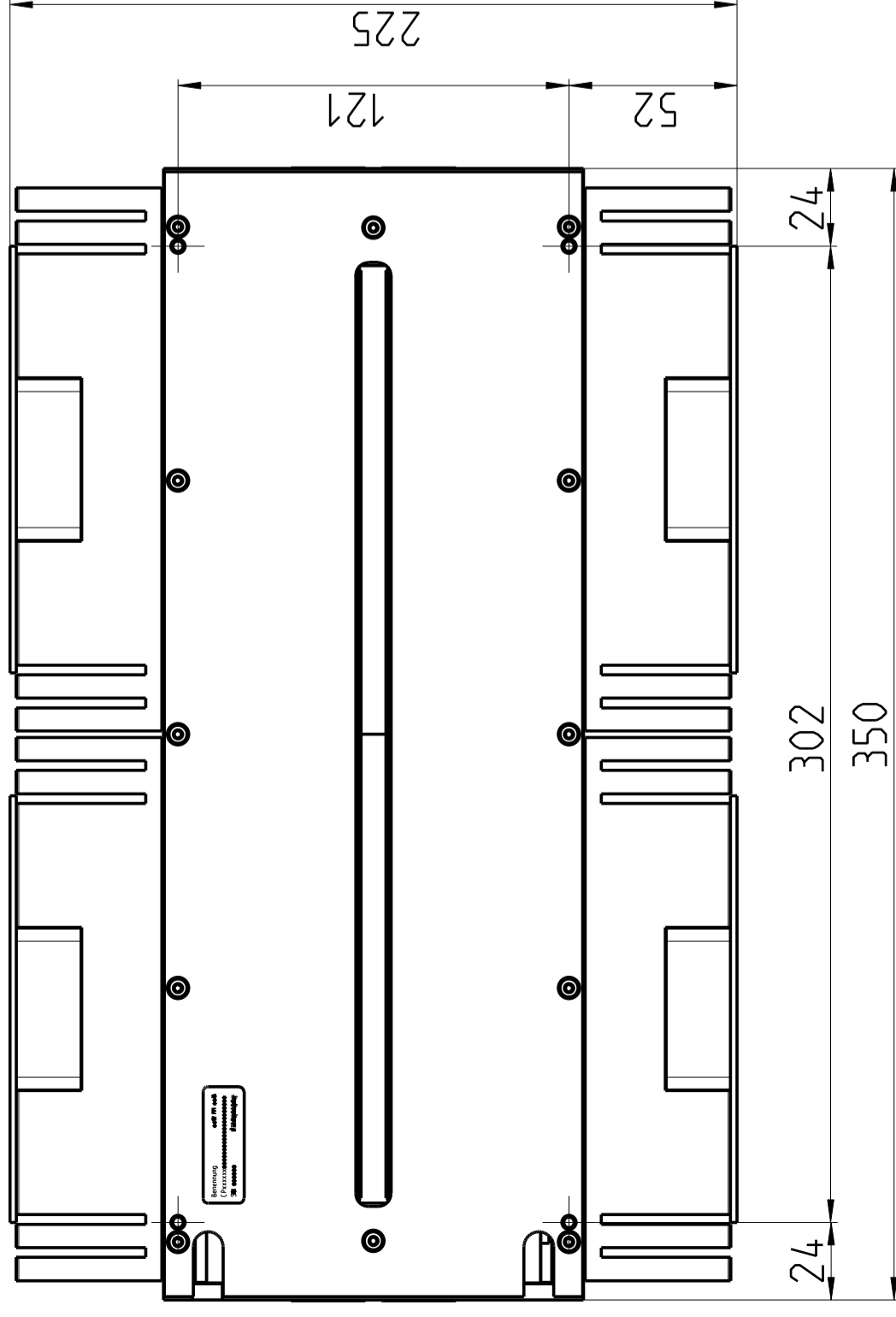


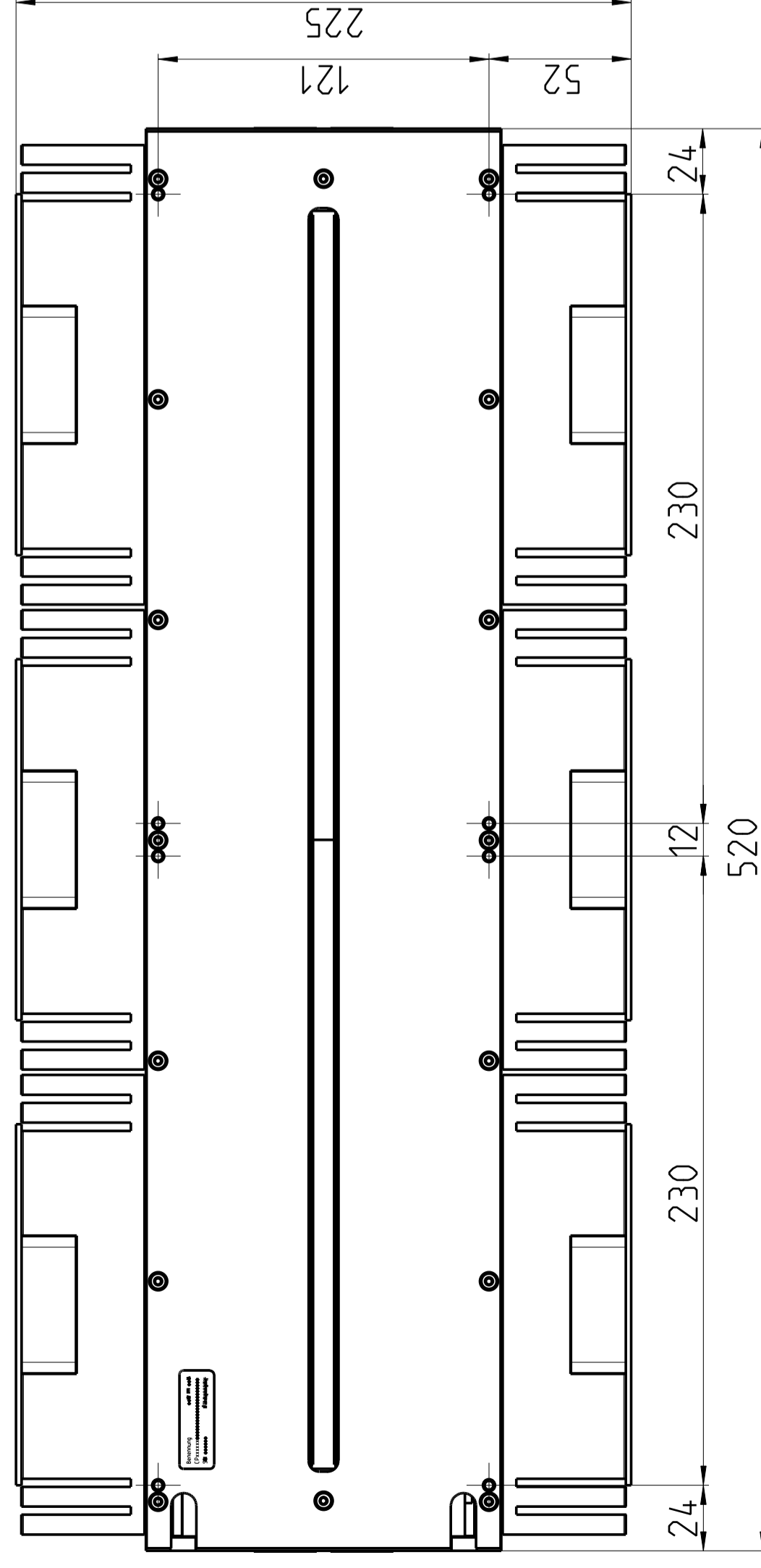
Optical length of module / Fitting length



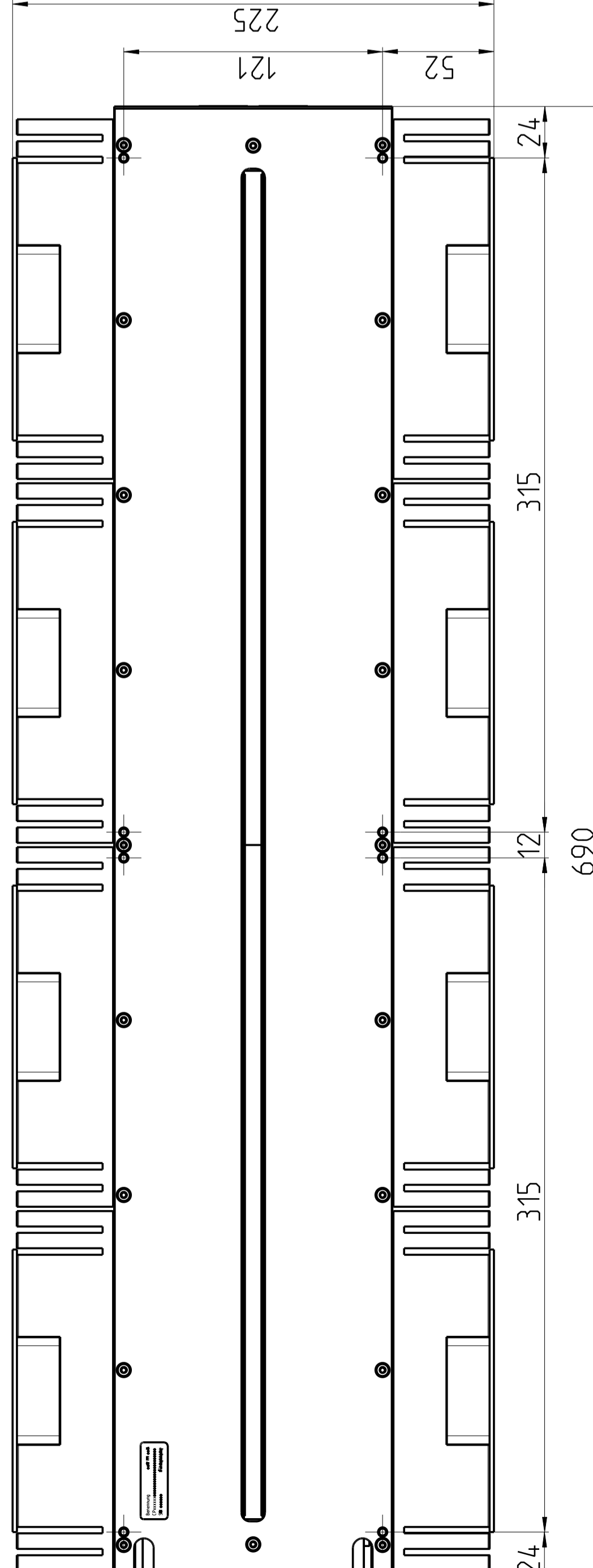
170



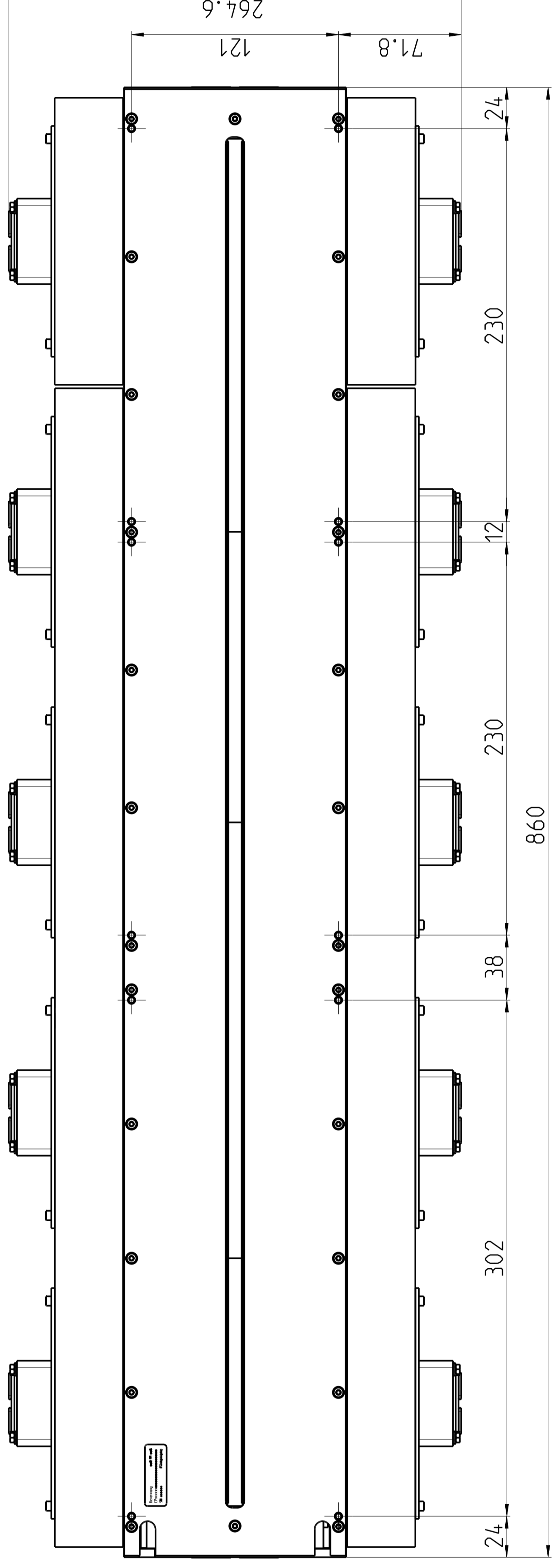
340



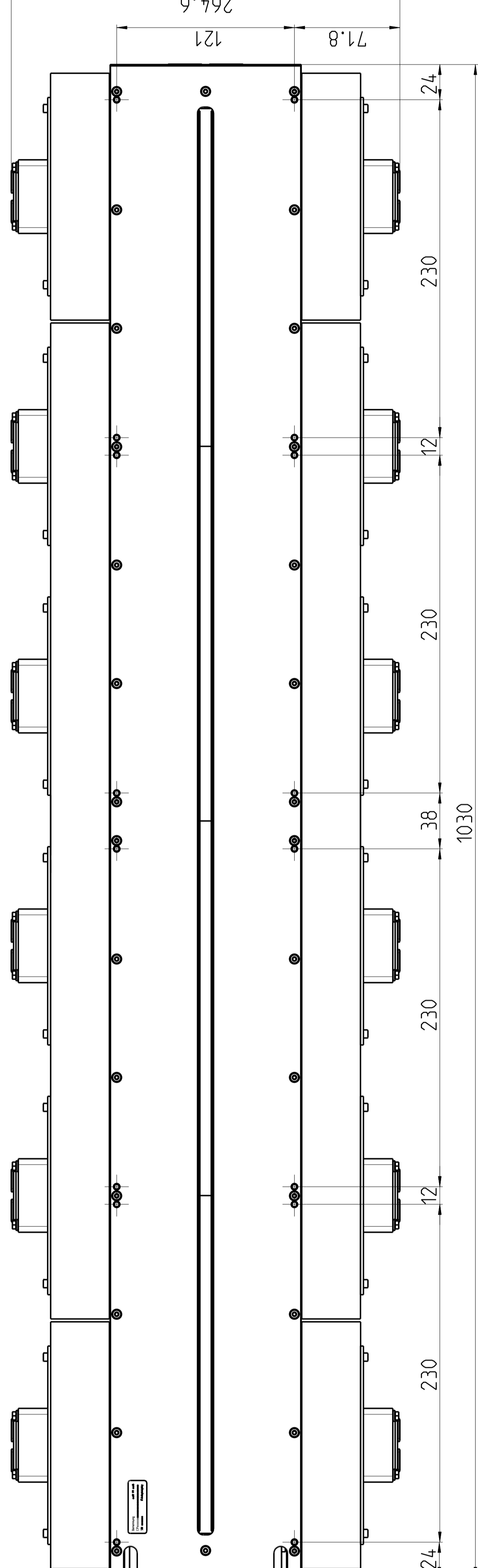
510



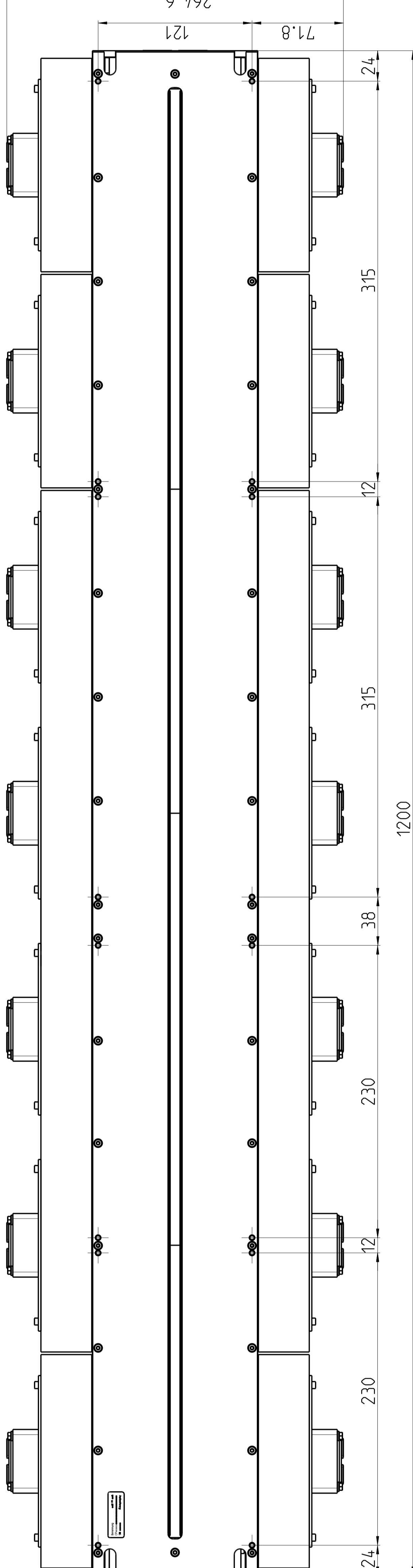
680



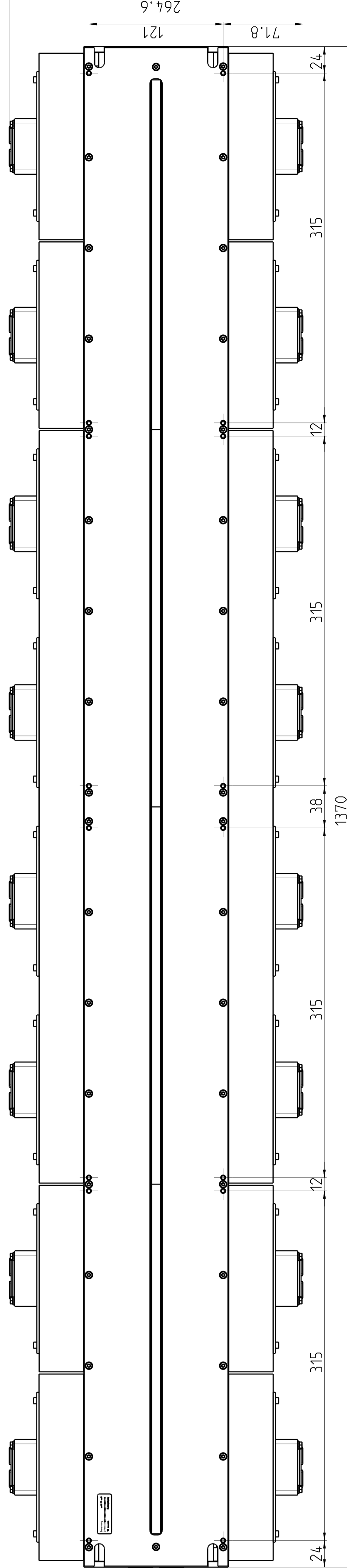
850



1020

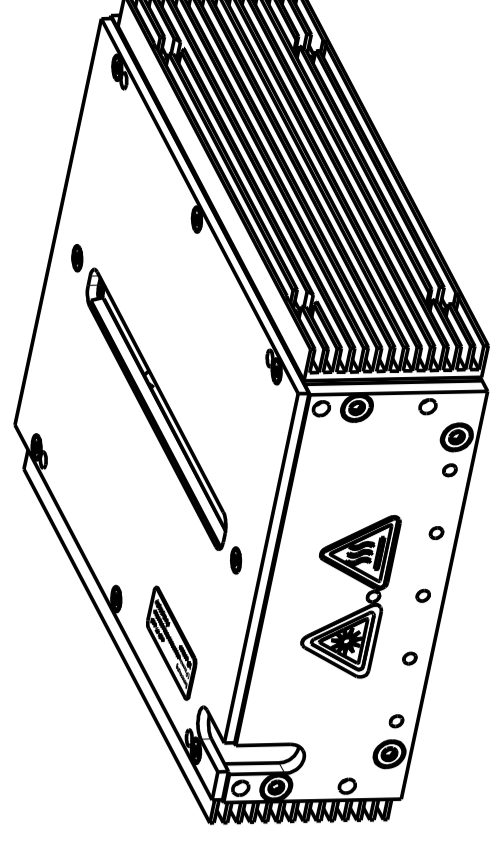


1190

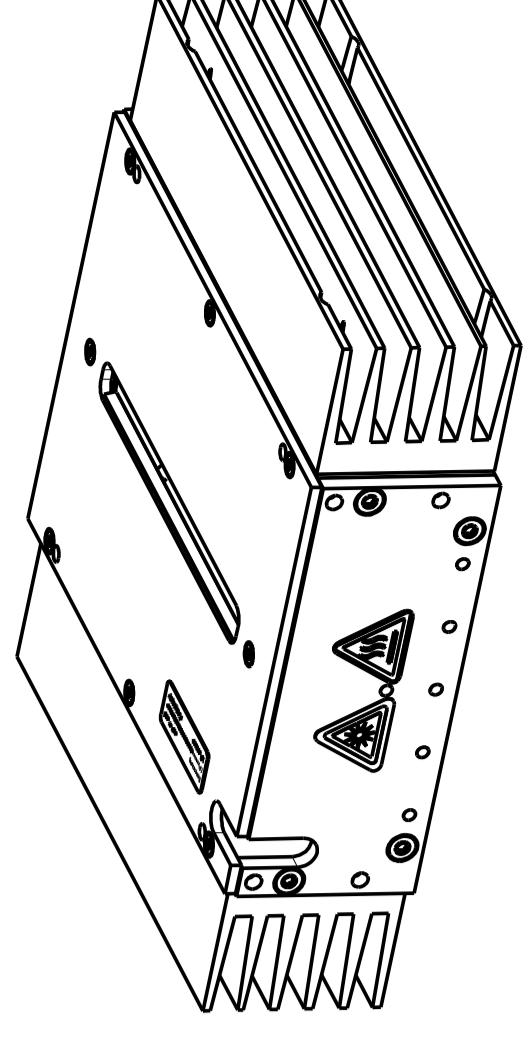


1360

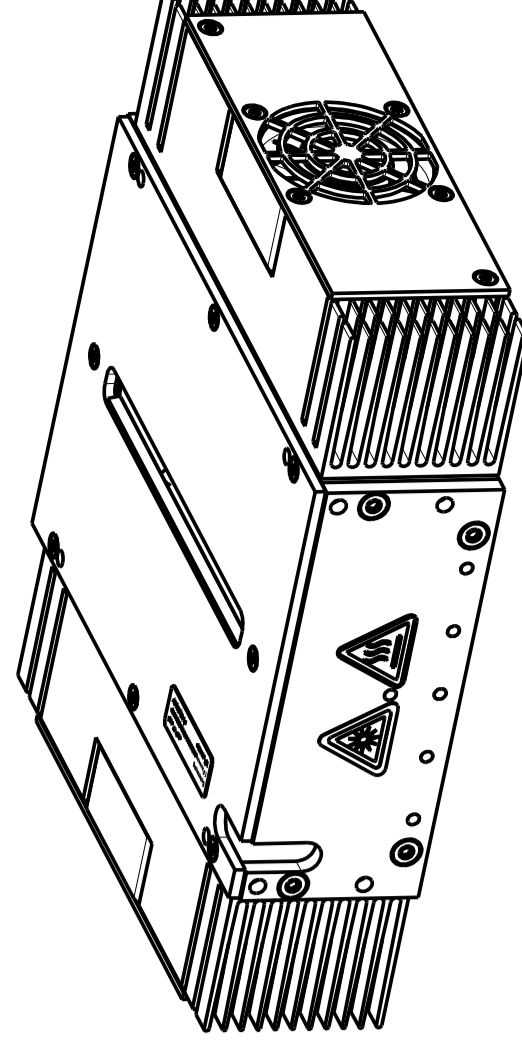
Heat sink variation



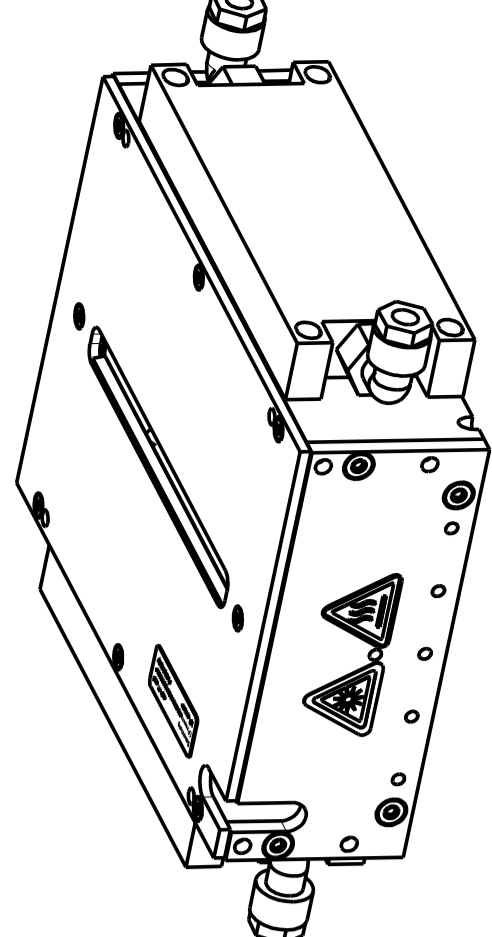
Heat sink A  
(X = 10.5mm)



Heat sink B  
(X = 40.5mm)



Heat sink L  
(X = 47.5mm)



Heat sink W  
(X = 18.5mm)