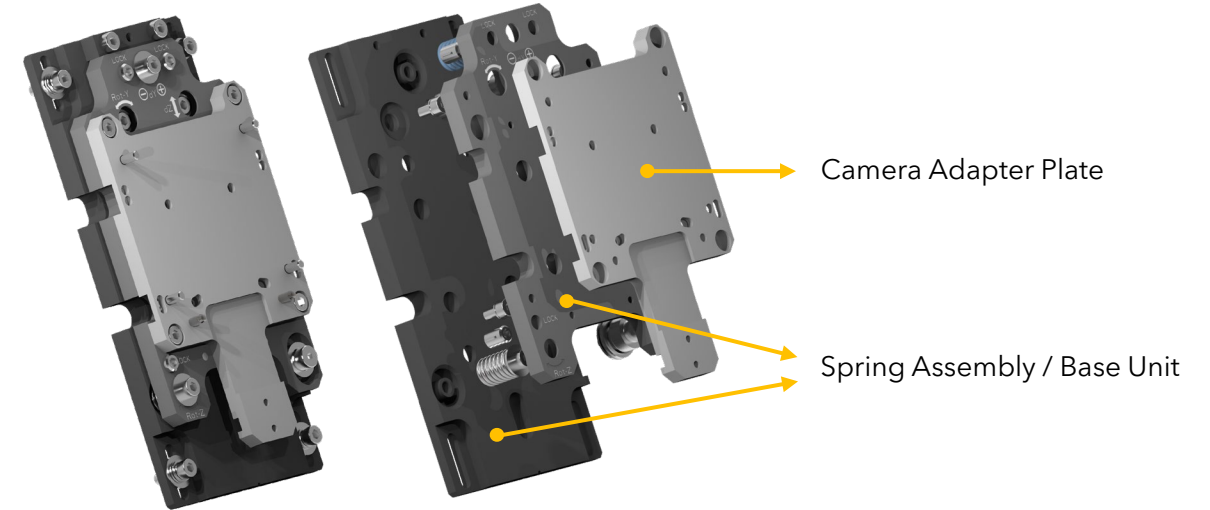


allPIXA Alignment Adapter

Chromasens allPIXA Alignment Adapter is a unique tool, which allows precise and fast alignment of allPIXA line scan cameras with GCT software.

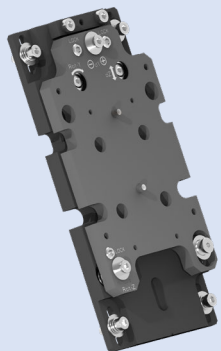
Features and Benefits:

- Reduces the time for set-up, maintenance and replacement of allPIXA cameras
- **Precise and fast** alignment of one, or several, high-resolution cameras
- Optimal for camera and lenses with a narrow focus range
- Alignment in **several axes** with **one hex wrench**
- Compact mechanical design for **allPIXA camera** series
- Adjustment cockpit with real time feedback for **GenICam**

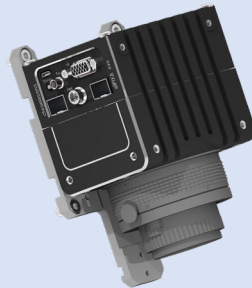


Aligned Camera System

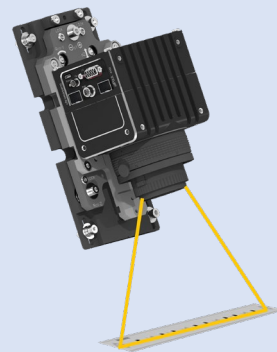
allPIXA Alignment Adapter Plates



allPIXA Camera with mounted Adapter Plate



allPIXA Alignment Adapter and Target



Alignment target

GCT Software

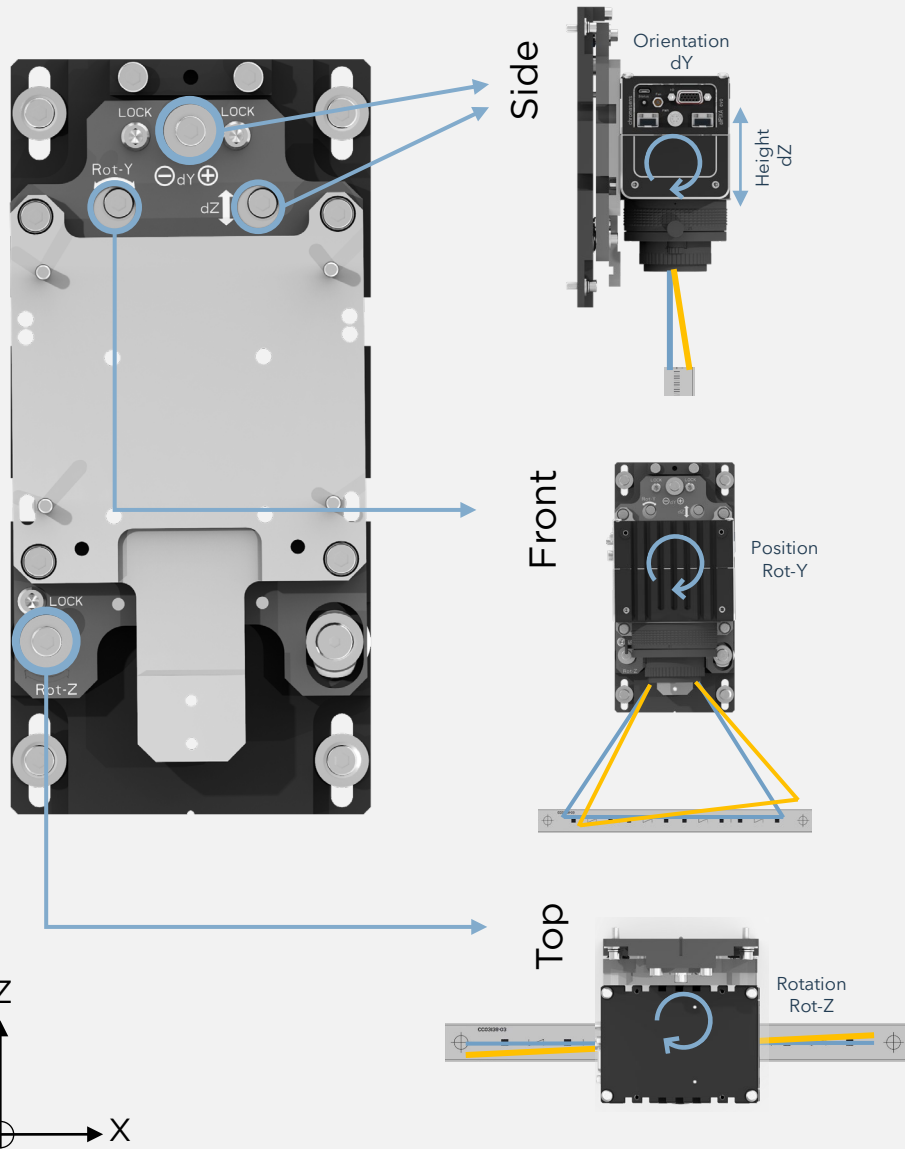


Adjustment cockpit with real time feedback

Precise and fast software guided alignment

- Position
- Sharpness (MTF)
- Field of View
- Resolution

allPIXA Alignment Adapter



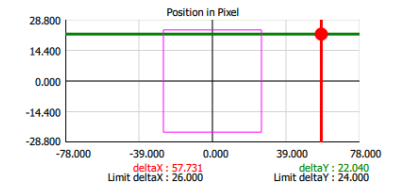
allPIXA Alignment Adapter	CP000656
Alignment Adapter	Mechanical adapter with alignment plates and camera adapter plate
Mechanical compatibility	allPIXA evo, allPIXA neo, allPIXA pro, allPIXA wave, allPIXA SWIR
Software compatibility (GCT/Cockpit)	allPIXA evo, allPIXA neo
Dimensions (H x W x D)	210 mm x 100 mm x 30 mm
Tools	Alignment with one hex wrench



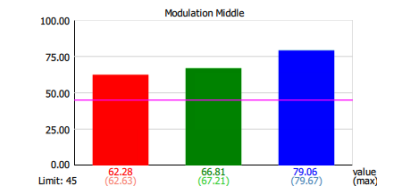
GCT Software

- For precise adjustment
- Realtime Feedback
- Position
- Rotation
- Focus plane → MTF

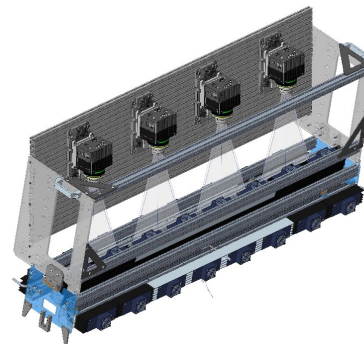
Position Orientation



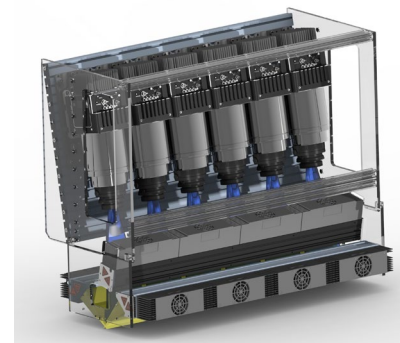
Sharpness (MTF)



Adjust and align several allPIXA cameras in one system



Adjust complex high precision applications



Rotation Rot-Z

